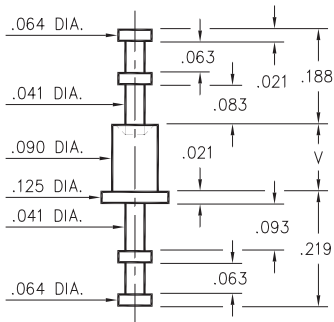


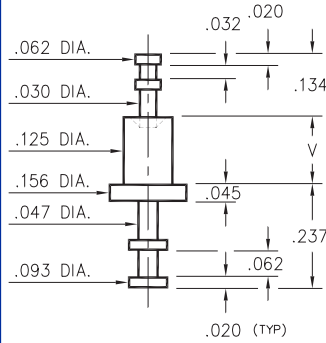
2512



- X -	Board Thickness	Length V
1	.031	.062
2	.062	.094
3	.094	.125
4	.125	.156

2512-X-00-XX-00-00-07-0
Swage mount in .094 hole

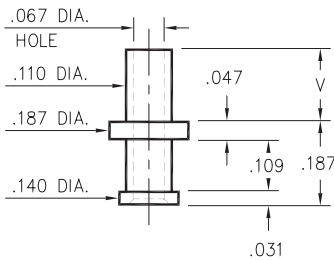
2705



- X -	Board Thickness	Length V
1	.031	.075
2	.062	.105
3	.094	.135
4	.125	.165

2705-X-00-XX-00-00-07-0
Swage mount in .129 hole

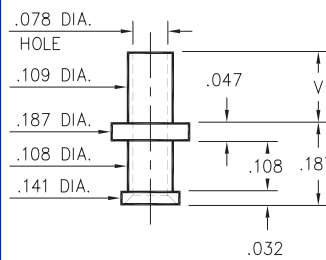
2803



- X -	Board Thickness	Length V
1	.031	.078
2	.062	.109
3	.094	.140
4	.125	.171

2803-X-00-XX-00-00-07-0
Swage mount in .113 hole

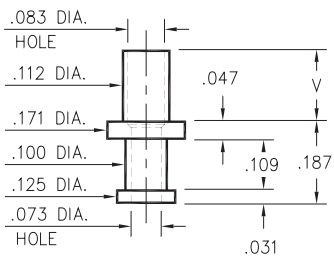
2815



- X -	Board Thickness	Length V
1	.031	.075
2	.062	.105
3	.094	.135
4	.125	.165

2815-X-00-XX-00-00-07-0
Swage mount in .113 hole

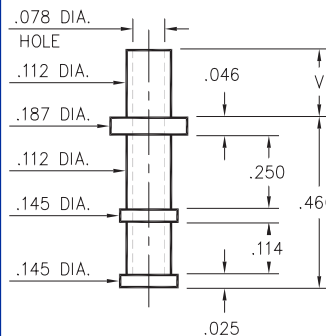
2816



- X -	Board Thickness	Length V
1	.031	.078
2	.062	.109
3	.094	.141
4	.125	.172

2816-X-00-XX-00-00-07-0
Swage mount in .116 hole

2817



- X -	Board Thickness	Length V
1	.031	.075
2	.062	.105
3	.094	.135
4	.125	.165

2817-X-00-XX-00-00-07-0
Swage mount in .116 hole

SPECIFICATIONS

PIN MATERIAL:
Brass Alloy 360, 1/2 Hard
Swage pins are annealed

DIMENSION IN INCHES
TOLERANCES ON:
LENGTHS: ±.005
DIAMETERS: ±.002
ANGLES: ± 2°

ORDER CODE: 2XXX - X - 00 - XX - 00 - 00 - 07 - 0

BASIC PART #



SPECIFY PIN FINISH:

- 01 200µ" TIN/LEAD OVER NICKEL
- 80 200µ" TIN OVER NICKEL ◊
- 44 300µ" SILVER OVER COPPER ◊
- 50 300µ" ELECTRO-SOLDER (60/40 SnPb)